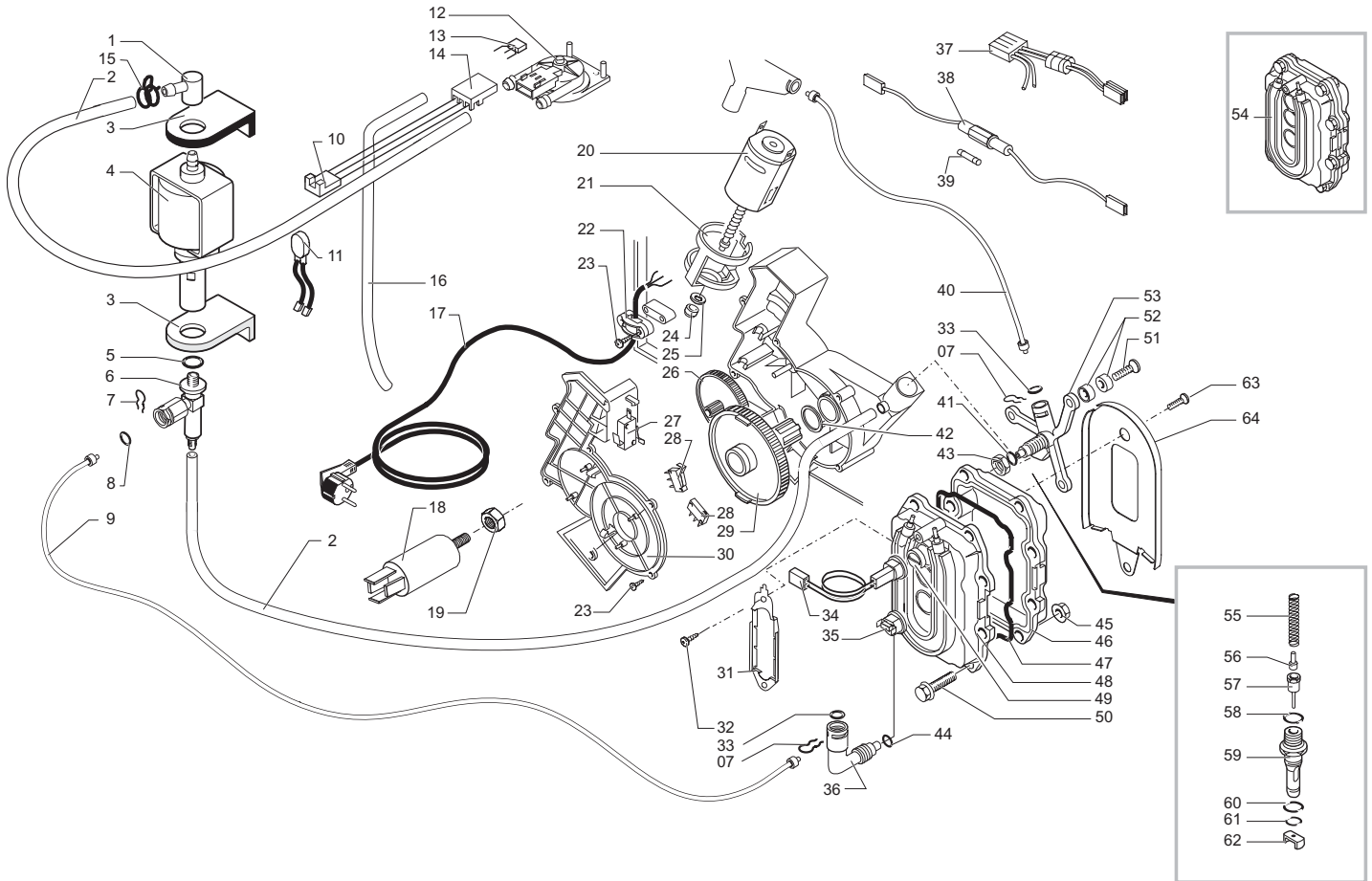


**GAGGIA® FACTORY SUP 020**

**CE SYNCRONY LOGIC FACTORY GB**

POS	CODE	DESCRIPTION	NOTE	POS	CODE	DESCRIPTION	NOTE
01	§142813480	Transparent-grey water container lid		38	%9161.270	Seal for coffee container	
02	§222692180	Transparent-grey water container assy		39	§281561083	3 Buttons electronic board ass.	230 V
03	§144650800	External water tank filter		40	%0311.020	Bracket for door closure	
04	§140328461	EPDM OR Metric 0019-10		41	§142482699	Transparent cap led cover	
05	§140324362	Silicone OR Metric 0060-30		42	§224884650	Black front panel s/screen Satrap	
06	§126764718	Spring for water container valve		43	§147716559	Controls selection grey knob	
07	§147660562	Grey piston for water valve		44	§223700550	Black coffee dispenser	
08	§165895805	Instructions manual Factory Sinchrony Logic		45	§222482250	Black casing ass. spares	
09	§127390100	Brush for cleaning		46	§228982141	Door painted silver	
10	§142660259	Brew unit grey phase key		47	§145743250	Black grate	
11	§175896900	Double upper techmate insert		48	§229630741	Drip tray painted silver	
12	§175897000	Double lower techmate insert		49	%9991.105	Magnet D.9 mm	
13	§178513900	Display box Factory Synchrony Logic		50	§147622850	Black foot	
14	§142844059	Grey valve gasket cover		51	§145500211	Red float	
15	§145842900	Water cont. valve seal gaco dim 14		52	§129660202	3x12 Panelvit TCB screw DIN 7505	ZNP
16	%NE03.028	Molveno switch		53	§175896300	388x413x17 Polystyrene insert	
17	§129535721	TSP 3,5x9,5 Screw DIN 7982 SS		54	§123591920	D=7,9 H=1,8 Brass spacer	
18	§149185359	Grey valve seal support		55	§146680159	Grey/7016 coffee measure	
19	%NM02.004	OR ORM 0080-20 EPDM					
20	§227751308	Chromed cups protection					
21	§222762341	Ground coffee doser silver lid					
22	§149260759	Grey hopper ground coffe	ZNP				
23	§129670202	3,5x16 Panelvit TCB screw					
24	§222813041	Silver silk/screen cover					
25	§129660902	3,5x12 Panelvit TCB screw	ZNP				
26	§142602050	Black dump box					
27	§145894700	Rotating ring retaining insert					
28	§147622150	Black foot for revolving ring					
29	§220380159	Grey/black rotating ring assy	with pos. 28				
30	§142813680	Transp/grey coffee bean container lid					
31	%9141.051.490	Grinding adjustment knob					
32	§129517103	3,5x38,1 Screw TCB DIN 7981	NIK				
33	§142713680	Grey bean container	reg. dose				
34	%U109.029	3,5x32 TCB screw DIN 7981 C	NIK				
35	§147715659	Coffee dose adjustment knob					
36	§146001850	Black coffee dose adjustment gear					
37	§146000850	Gear coffee grinder adjustment					



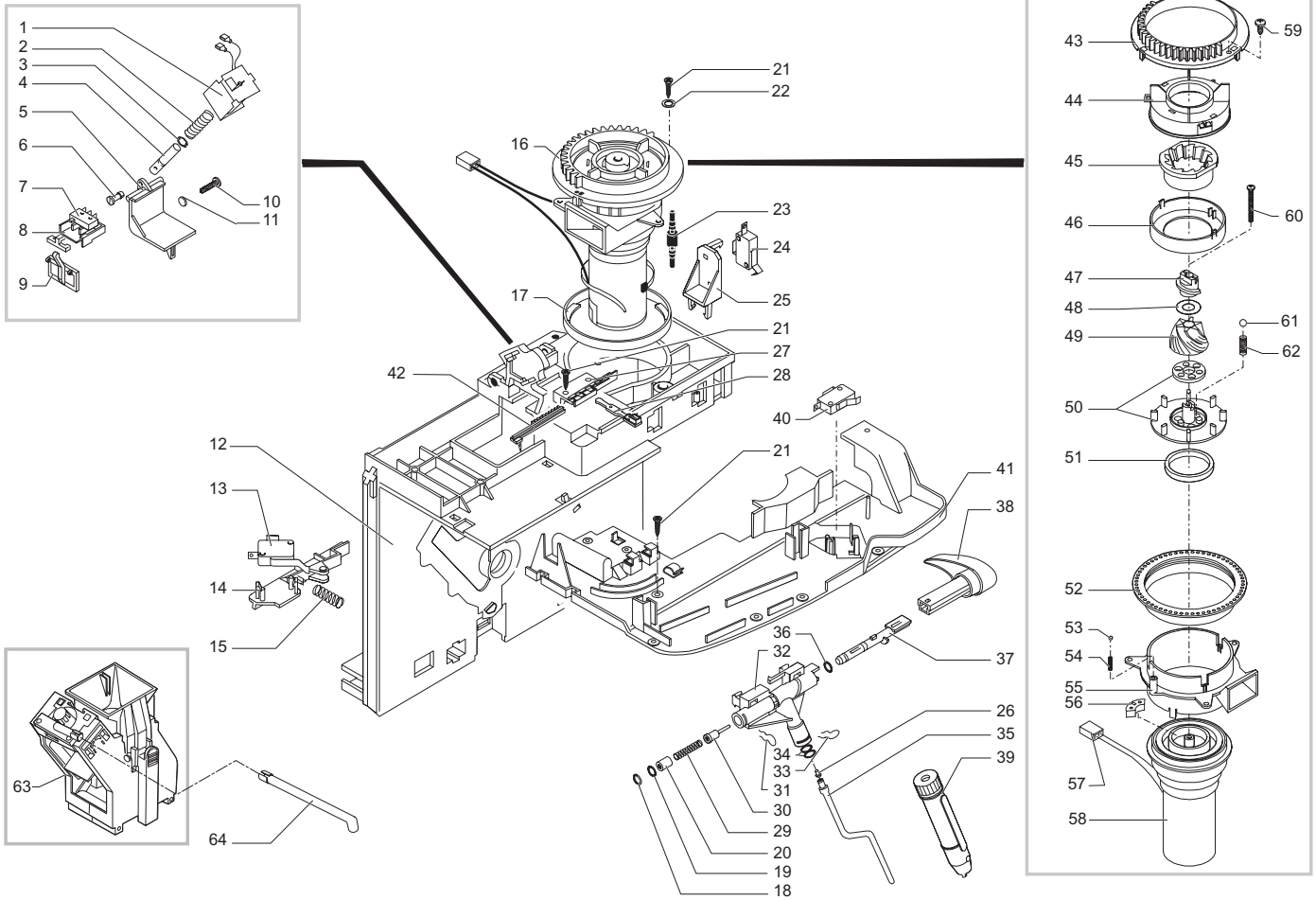
# GAGGIA<sup>®</sup> FACTORY SUP 020

# CE SYNCRONY LOGIC FACTORY GB

POS	CODE	DESCRIPTION	NOTE
01	%9991.084	90° Rubber connector	
02	§149360200	5x8 70SR Silicone tube in roll	
03	§149185850	Eaton pump support	
04	§187720958	Ulka pump 2 EX5	230 Volt
05	§140321961	OR 2031	EPDM
06	§229451300	D=8 Safety valve ass.	
07	%9011.144	Fork for tube D.4	
08	%NM02.028	OR 2015	EPDM FDA
09	§227871900	2x4 Connector ass. teflon	L = 250 mm
10	§283550700	JP4 3 Poles turbine connet. ass.	230 Volt
11	§289202100	120°C Thermal. protector cable	
12	§286473300	"M"VDE turbine kit with sensor	con pos. 13
13		Particular not available	see pos. 12
14	%9161.018	Turbine fork	
15	§184320200	D=9,5 mm spring hose clamp	
16	§149361100	5x10 60SR Silicone tube	In roll
17	§283910250	Black power cable schuko + toroide	L = 1500 mm
18	§184651100	Antidisturb filter	
19	§123453602	Flange nut M8 toothed base	
20	§286891758	General ass. motor 230V for ratiomotor	con pos 21, 37
21	%9121.044	Antivibration for motor	
22	§148600600	Cable clamp	
23	§129670202	Panelvit TCB screw 3,5x16 Testa D=8	ZNP
24	%9121.046	Sintered bush for motor	
25	§148380200	Washer bakeliz. D=5,5	
26	§146000759	Gear 12/90 for ratiomotor	
27	%NE05.042	Microswitch	
28	%NE05.038	Microswitch	
29	%9121.068.150	Gear Z.108 for mounting plate	
30	%9161.200.920	Lid for ratiomotor	
31	§126836517	Steel spring retainer 3 thermostat	
32	§129575403	M5x10 Screw tapt DIN 7500C	NIK
33	§140328059	OR 2015 in silicone PTFE/FDA	Silicone PTFE/FDA
34	§288581358	Sensor ass.	230 Volt
35	§189428200	175° Thermostat	
36	§127914020	BRASS 90 DEG FIT.1/8 gas master	
37		Particular not available	see pos.20

POS	CODE	DESCRIPTION	NOTE
38	§183361362	Cable blue silicone + thermal 6,3 A	
39	§327002200	Delayed fuse T6,3 A 5x20	
40	§227872000	2x4 Teflon connector ass.	L = 440mm
41	§140321462	OR 2018	Silicone
42	%9161.132	Mylar washer for ratiomotor	
43	§123390420	Nut 1/8 gas H=4.5 CH=13	Brass
44	§140321462	OR 2018 IN SILICONE	Silicone
45	§123270102	M6 Nut flanged toothed base	ZNK
46		Particular not available	see pos.20
47	%9011.129	Boiler seal	
48		Particular not available	see pos.54
49	§123591222	Alu. spacer for sensor	
50	%U046.004	TEFZ M 6,0x26 galv. screw	
51	%U044.017	TSPC M5,0x20 UNI 7688 galv. screw	ZNP
52	%9161.206	Insulating spacer for boiler	
53	%9011.126	Alu.boiler support brass	
54	§282058158	An/aluminium boiler ass. 230V	230V for spares
55	%9011.132	Spring for pin	
56	§127471620	Brass pin for boiler	
57	§227660100	Piston ass. w/groove w/seal viton	
58	§140320459	OR Metric 0080-20	Silicone PTFE/FDA
59	§147471700	Pin for boiler valve	
60	%NM01.035	OR ORM 0090-20	Silicone
61	%NM01.057	OR ORM 0050-20	Silicone
62	§145893000	Cursor insert boiler valve	
63	§129740103	TSPC PH/SW 5x10 UNI 8113 NICK screw	
64	§129024602	Guard bracket heat elem. boiler	
	§289435100	General turbine ass.	

# GAGGIA<sup>®</sup> FACTORY SUP 020



**GAGGIA® FACTORY SUP 020**

**SYNCRONY LOGIC FACTORY GB**

POS	CODE	DESCRIPTION	NOTE
01	§283770758	V2 Coffee doser coil ass. 230V	
02	§126764818	Spring electromagnetic bean doser	
03	%U701.003	Snap ring 7 UNI 7434	
04	%9161.041	Doser electromagnet core	
05	%9161.074.150	Doser grey door	
06	%9161.076.150	Doser grey door pin	
07	§186701200	Microswitch SAIA XCC5-81	
08	§149185959	Bean doser micro support	
09	§148700559	Coffee doser dose adjustment selector	
10	%U140.004	Panelvit TCB 3,0x12 DIN 7505 B	ZNP
11	%9161.048	Scraper rod	
12	%9161.249.150	Mounting grey plate	
13	§186724100	Microswitch SAIA	
14	%9161.202.150	Compensator for grounds micro	
15	%9161.221	Spring ground. microsupport compensa	
16	§286883058	General motor as.	230 V
17	%9141.052.150	Coffeegrinder reinforcing ring	
18	§140328161	OR 2015	EPDM
19	§140328059	OR 2015	Silicone PTFE/FDA
20	%9991.112	Bush for faucet	
21	§129670202	Panelvit TCB screw 3,5x16 TESTA D=8 Z	ZNP
22	%U207.004	4,3X16 Plain washer UNI 6592	ZNP
23	%9991.103	Antivibration for coffeegrinder	
24	%NE05.043	Microswitch	
25	%9161.207.150	Support for faucet micro	
26	§145895000	Teflon insert for steam tube	
27	§147571850	Black lever fixing plate + dose adjustment	
28	%9161.122.150	Dose adjustment lever grey classic	
29	§126765317	Steel spring boiler piston	
30	§227660100	Piston as. w/groove w/seal viton	
31	%9011.144	Fork for tube D.4	
32	%9161.204.G	Steam faucet	
33	§126764018	Spring D=1 steam tube holder	
34	§140324461	OR Metric 0060-20	EPDM
35	§229381508	Steam tube	Chromed
36	§140328561	OR D=4,48 x 1,90	EPDM
37	%9161.205	Steam knob rod	

POS	CODE	DESCRIPTION	NOTE
38	§227721159	Steam dispenser grey knob	
39	§147430150	Pannarello as. black plastic	
40	§186723200	Microswitch saia	
41	§149192900	Front panel support	
42	§148740450	Toothed slide for dose adjust gear	
43	§148650250	Grinding adjustment sector	
44	§149186150	Upper grinder black support	
45		Particular not available	See pos. 49
46	§142844550	Upper grinder cover	
47	§147470763	Increase screw pin cof.grind	
48	%U201.002	10x16x0,2 DIN 988 plain washer	ZNP
49	§226477700	Kit ital mill grinders	
50	%9141.028	Support for lower grinder	
51	§140360200	Felt ring 40x34x5	
52	§146570950	Ring nut for grinding adjustment	
53	§128610421	Stainless stell AISI 304 sphere D=3,2 mm	
54	§126770117	Spring for coffeegrinder	
55	§149186350	Motor grinder black support	
56	§140230400	Shock abs conical grinder support	
57	§283550658	2 Poles JP1 connector ass. for coffeegrinder	230 Volt
58	§286851158	Motor ass.	230 Volt
59	§129511803	TCB 2,9x6,4 DIN 7981 screw	NIK
60	§129931002	Torx screw TCB 3,5x48/28 SX	ZNG
61	§128610521	Stainless steel AISI 304 sphere D=5,5	
62	§126765517	Steel spring sphere D=5,5	
63	§225800559	Grey brew unit + hole	
64	§149500800	see table 225800559 exp. code E90026 Coffee dispensing tube	