

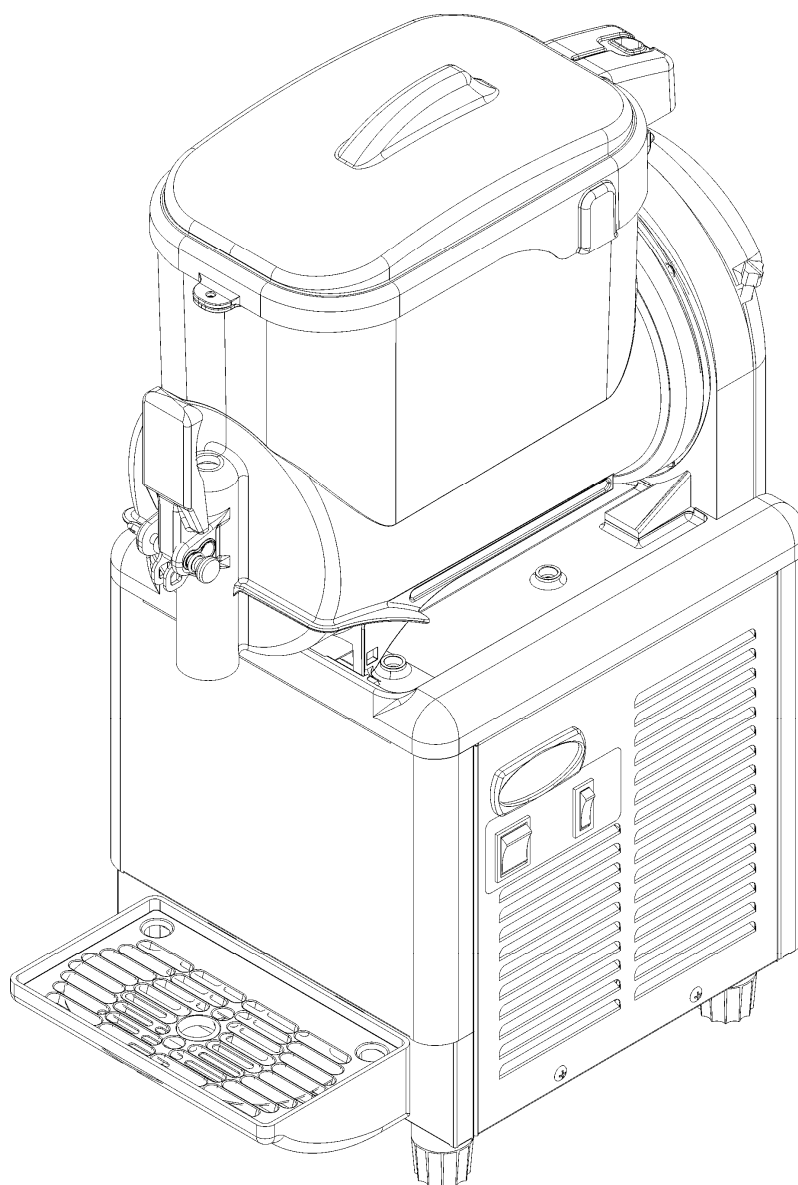
**LISTA DE PIEZAS DE RECAMBIO
LIST OF COMPONENTS PARTS
LISTA RICAMBI**

**GRANIZADORA DE BANCO
GRANITA MACHINE
GRANITORE DA BANCO**

GSM-5x1 TS-E 230/50 BLANCA

Ref.: SL900492331

230 V. / 50 Hz.



LISTA DE PIEZAS

Nº	Referencia	Denominación
1	SL320000815	Tapa blanca
2	SL340000541	Cuba 5 litros
3	SL300951293	Pasador grifo EURO - blanco
4	SL300950331	Leva grifo GHZ EURO blanca
5	SL320001401	Muelle grifo 8 VTLS ø1.6
6	SL310001843	Junta tórica Ø15 x Ø2 silicona - roja
7	SL310001367	Pistón grifo LD - blanco
8	SL320001758	Junta especial pistón LD - blanca
9	SL320000840	Panel lateral izquierdo
10	SL320000882	Panel frontal G5.1 GRANISMART 1
11	SL340000501	Bandeja goteo completa - blanca
11 ₁	SL300970007	Rejilla goteo GB - blanca
11 ₂	SL300970003	Bandeja goteo GB - blanca
12	SL30PZ12NT8	Tube desagüe silicona 8x12 x mts.
13	SL3GS24118A	Candado
14	SL300951869	Soporte evaporador PZ-2 - blanco
15	SL300951868	Soporte evaporador PZ-1 - blanco
16	SL310003258	Soporte evap. compl. GRANISMART - blanco
17	SL300500133	Junta depósito
18	SL340001575	Evaporador completo GS1 V10
19	SL320002598	Casquillo evaporador GHZ-G5 2M6 V/9
20	SL320000795	Pala espiral
21	SL310003830	Junta estanqueidad eje GHZ-GB 2M6 sil.traslu.
22	SL300950069	Tapón bandeja superior - blanco
23	SL310002877	Panel tras. completo GS.1 c/puerta
23 ₁	SL320002419	Panel trasero SATP GS.1 v/puerta
23 ₂	SL310000171	Tuerca enjaulada M4 03-09
23 ₃	SL320002420	Puerta panel trasero SATP GS.1
23 ₄	SL300970274	Tomillo grifo GB-10 negro
24	SL320000794	Bandeja superior - blanca
25	SL320000824	Chasis
26	SL320002416	Panel lateral derecho GS 1/TS-E
27	SL300951357	Pie nivelador GHZ-14 V/99
28	SL320000812	Soporte panel lateral
29	SL310003935	Manguera TS-E 1 3x1,5 L.2M.Schuko+PA107

Nº	Referencia	Denominación
30	SL310004348	Tapa sop.ev. GSM V/SENC blanca
31	SL3GS12036A	Sujeción sistema regulación
32	SL3GS12035A	Vástago regulación
33	SL320000805	Soporte sensor - blanco
34	SL3GS12037B	Guía muelle sistema regulación
35	SL300950558	Muelle regulación
36	SL310001422	Motorreductora KENTA mono 220/50
37	SL310002029	Racord eje transmisión TMC 06
38	SL300950587	Minirruptor completo GHZ V/99
39	SL310002027	Pasador inox DIN 1481 Ø4x18
40	SL320002575	Eje transmisión GSM G5 TMC 06
41	SL300003131	Interruptor luces verde
42	SL330000096	Protector interruptor 22x30
43	SL330000210	Conmutador negro UL 11x30 SIGN.LUX
44	SL330000119	Protector interruptor 11x30
45	SL38EAE48GL	Bobina electroválvula V/99 220/50
46	SL310000429	Electroválvula simple completa CEME 220/50
47	SL330000168	Condensador
48	SL310002739	Transf. temp. termost. termóm. 3VA bi-tensión
49	SL320000833	Filtro receptor gas
50	SL330000173	Motoventilador 230V - 50/60Hz
51	SL330000239	Compresor EMT43HLP 220-240/50
52	SL340000197	Condensador + Filtro GS 1
53 ₁	SL310002753	Relé compresor EMT43HLP 220-240/50 IMQ
53 ₂	SL310002754	Clixon compresor EMT43HLP 220-240/50 IMQ
54	SL310002825	Adhesivo mandos GS 2 TS-E
55	SL310002736	Sonda temp. termost. electrónico V/09
56	SL310002718	Termostato electrónico + temp. 09
57	SL320002414	Casquillo silenblock compr. GS 1
58	SL300951191	Obturador enchufe tapa sop. evap. - blanco
59	SL320002712	Muelle sujeción sonda TSE GS
60	SL320000831	Filtro 10 GR F.4,9-2,5XH9 Ø16x110
61	SL320002713	Racord exterior sonda evap. GS
62	IC541000418	Junta tórica 1,78x11,11 SL 60 114 roja

LIST OF COMPONENTS PARTS

N°	Reference	Description
1	SL320000815	Cover - White
2	SL340000541	Bowl
3	SL300951293	Spigot pin EURO - White
4	SL300950331	Spigot handle GHZ EURO - White
5	SL320001401	Spigot spring
6	SL310001843	O-ring Ø15 x Ø2 silicone - Red
7	SL310001367	Spigot plunger
8	SL320001758	Gasket spigot
9	SL320000840	Left panel
10	SL320000882	Front panel
11	SL340000501	Drip tray assy - White
11 ₁	SL300970007	Screen for leaking GB - White
11 ₂	SL300970003	Tray for leaking GB - White
12	SL30PZ12NT8	Drain pipe silicone 8x12 x mts.
13	SL3GS24118A	Padlock
14	SL300951869	Evaporator support pz. 2 - Black
15	SL300951868	Evaporator support pz. 1 - Black
16	SL310003258	Evaporator support assy - Black
17	SL300500133	Evap./bowl rear gasket
18	SL340001575	Evaporator GS1 V10
19	SL320002598	Shaft supporting bushing GHZ-G5 2M6 V/9
20	SL320000795	Auger spiral
21	SL310003830	Watertight shaft joint GHZ GB 2M6 sil.translu.
22	SL300950069	Evaporator tray bung - White
23	SL310002877	Full rear panel GS 1 w/door
23 ₁	SL320002419	Rear panel GS 1 v/door
23 ₂	SL310000171	Special nut M4 03-09
23 ₃	SL320002420	Rear panel door GS 1
23 ₄	SL300970274	Tap screw GB-10 - black
24	SL320000794	Evaporator tray - White
25	SL320000824	Chassis
26	SL320002416	Right panel GS 1/TS-E
27	SL300951357	Robber foot GHZ-14 V/99
28	SL320000812	Side panel support
29	SL310003935	Power cable TS-E 1 3x1,5 L.2M. SCHUKO+PA107

N°	Reference	Description
30	SL310004348	Evap.sup. cover white GSM V/SENC
31	SL3GS12036A	Hardness control pin catch
32	SL3GS12035A	Hardness control pin
33	SL320000805	Sensor support - White
34	SL3GS12037B	Hardness control pin bushing
35	SL300950558	Torque compression spring (1.1 Blan)
36	SL310001422	Gear motor KENTA mono 220/50
37	SL310002029	Transmission shaft racor TMC 06
38	SL300950587	Limit switch
39	SL310002027	Stainless steel blade pin DIN 1481 Ø4x18
40	SL320002575	Drive shaft for spiral GSM G5 TMC 06
41	SL300003131	General switch green I/O lighted
42	SL330000096	Cover protection for switch 22x30
43	SL330000210	Change-over switch UL 11x30 SIGN.LUX
44	SL330000119	Cover protection for switch 11x30
45	SL38EAE48GL	Ev-coil - gas 230V - 50/60 Hz
46	SL310000429	Full electrovalve single CEME 220/50
47	SL330000168	Condenser
48	SL310002739	Transformer 230/12 3VA
49	SL320000833	Receiver
50	SL330000173	Fan motor "127 x 127 x 38" 230V - 50/60Hz
51	SL330000239	Compressor EMT43HLP 220-240/50 IMQ
52	SL340000197	Condenser + Dryer GSM1
53 ₁	SL310002753	Relay compressor EMT43HLP 220-240/50 IMQ
53 ₂	SL310002754	Clixon compressor EMT43HLP 220-240/50 IMQ
54	SL310002825	Command adhesive GS5-1 TS-E BG
55	SL310002736	Temperature electronic thermostat probe V/09
56	SL310002718	Electronic thermostat + temp. 09
57	SL320002414	Compressor silenblock GS 1
58	SL300951191	Switch obturator - white
59	SL320002712	Subjection probe spring TSE GS
60	SL320000831	Dryer 10 GR F.4,9-2,5XH9 Ø16x110
61	SL320002713	Outdoor racord probe evap. GS
62	IC541000418	O-ring 1,78x11,11 SL 60 114 red

ELENCO COMPONENTI

N°	Codice	Descrizione
1	SL320000815	Coperchio Bianco
2	SL340000541	Vasca 5 litri
3	SL300951293	Spina leva rubinetto EURO - Bianca
4	SL300950331	Leva rubinetto GHZ EURO - Bianca
5	SL320001401	Molla cilindrica rubinetto
6	SL310001843	Guarnizione Ø15 x Ø2 silicone - rossa
7	SL310001367	Corpo rubinetto
8	SL320001758	Guarnizione rubinetto
9	SL320000840	Pannello sinistro
10	SL320000882	Pannello anteriore GS1
11	SL340000501	Vaschetta sgocciolio completa Bianca
11 ₁	SL300970007	Griglia di scolo GB-10 - bianca
11 ₂	SL300970003	Raccogliore di scolo GB-10 - bianco
12	SL30PZ12NT8	Tube scarico silicone 8x12 x mts.
13	SL3GS24118A	Lucchetto
14	SL300951869	Supporto evaporatore GHZ PZ-2 - bianco
15	SL300951868	Supporto evaporatore GHZ PZ-1 - bianco
16	SL310003258	Supporto evap. compl. GRANISMART - bianco
17	SL300500133	Guarnizione evaporatore/vasca
18	SL340001575	Evaporatore completo GS1 V10
19	SL320002598	Boccola sostegno albero GHZ-G5 2M6 V/9
20	SL320000795	Coclea
21	SL310003830	Guarnizione ventosa GHZ GB 2M6 sil.traslu.
22	SL300950069	Tappo vassoio superiore
23	SL310002877	Pannello posteriore completo GS 1 c/portello
23 ₁	SL320002419	Pannello posteriore GS 1 c/portello
23 ₂	SL310000171	Dado speciale M4 03-09
23 ₃	SL320002420	Portello pannello posteriore GS 1
23 ₄	SL300970274	Vite GB-10 - nero
24	SL320000794	Piano evaporatore GS1 - bianco
25	SL320000824	Telaio
26	SL320002416	Pannello destro GS 1/TS-E
27	SL300951357	Piedini livellamento GHZ-14 V/99
28	SL320000812	Supporto pannello laterale
29	SL310003935	Cavo alimentazione TS-E 1 3x1,5 L.2M. SCHUKO+PA107

N°	Codice	Descrizione
30	SL310004348	Coperchio sup.evap.bianco GSM V/SENC
31	SL3GS12036A	Fermo perno regolazione durezza
32	SL3GS12035A	Perno regolazione durezza
33	SL320000805	Supporto sensore bianco
34	SL3GS12037B	Boccola perno regolazione durezza
35	SL300950558	Molla regolazione durezza
36	SL310001422	Motoriduttore KENTA mono 230V - 50Hz
37	SL310002029	Raccordo albero trascinalimento TMC 06
38	SL300950587	Microinterruttore
39	SL310002027	Spina inox DIN 1481 Ø4x18
40	SL320002575	Albero trascinalimento GSM G5 TMC 06
41	SL300003131	Interruttore generale luminoso 22x30 verde
42	SL330000096	Cappuccio protezione Interruttore 22x30
43	SL330000210	Deviatore nero UL 11x30 SIGNAL LUX
44	SL330000119	Cappuccio protezione Interruttore 11x30
45	SL38EAE48GL	Bobina elettrovalvola gas 230V 50/60HZ
46	SL310000429	Elettrovalvola singola completa CEME 220/50
47	SL330000168	Condensatore frigo
48	SL310002739	Trasformatore 230/12 3VA
49	SL320000833	Boiler
50	SL330000173	Motoventilatore "127 x 127 x 38" 230V - 50/60Hz
51	SL330000239	Compressore EMT43HLP 220-240/50 IMQ
52	SL340000197	Condensatore + Filtro GSM1
53 ₁	SL310002753	Relé compressore EMT43HLP 220-240/50 IMQ
53 ₂	SL310002754	Salvatore compressore EMT43HLP 220-240/50 IMQ
54	SL310002825	Adesivo comandi GS5-1 TS-E BG
55	SL310002736	Sonda temp. termost. elettronico V/09
56	SL310002718	Termostato elettronico + temp. 09
57	SL320002414	Boccola silenblock compressore
58	SL300951191	Otturatore presa elettrica - bianco
59	SL320002712	Molla fermo sonda TSE GS
60	SL320000831	Filtro 10 GR F.4,9-2,5XH9 Ø16x110
61	SL320002713	Raccordo esterno sonda evap. GS
62	IC541000418	Guarnizione 1,78x11,11 SL 60 114 rossa

DESPIECE - EXPLODED VIEW - ESPLOSO DISEGNO

