

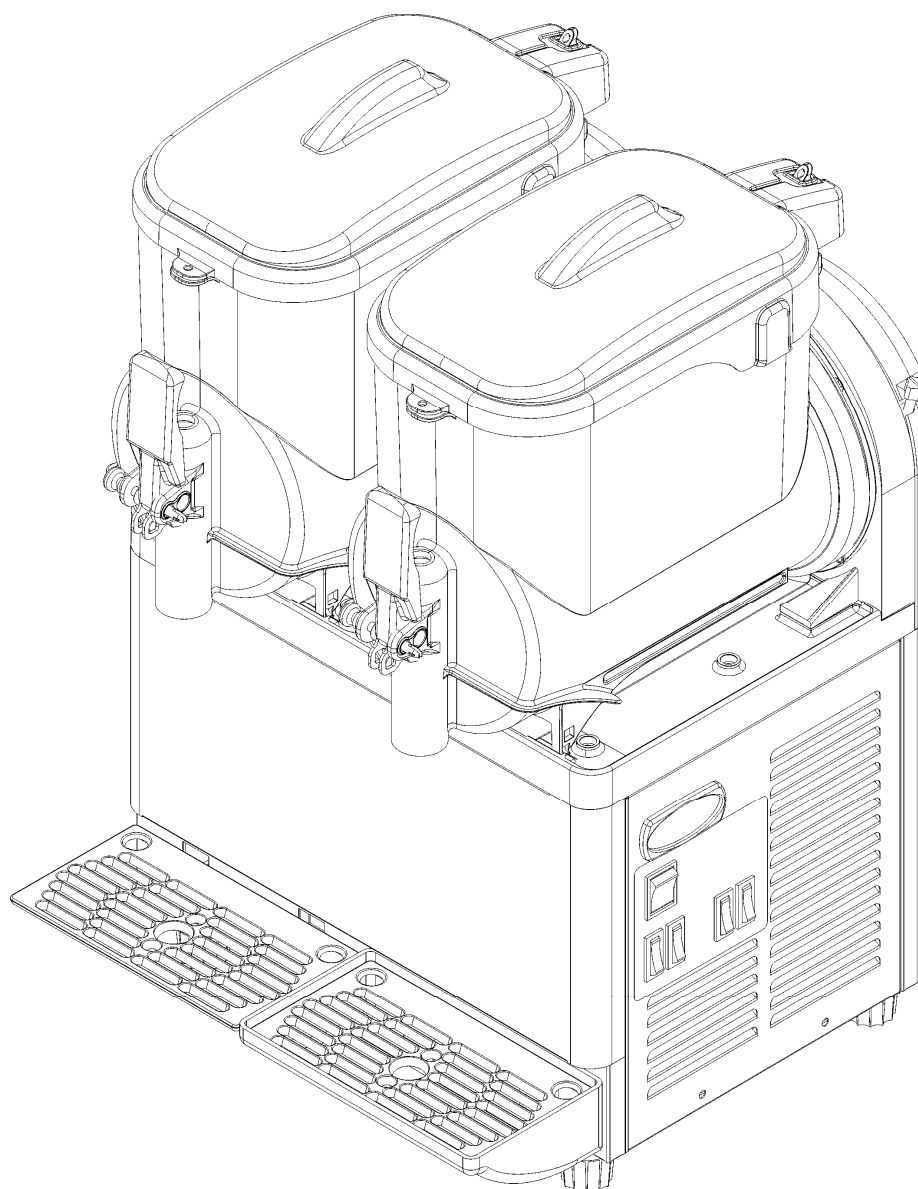
**LISTA DE PIEZAS DE RECAMBIO  
LIST OF COMPONENTS PARTS  
LISTA RICAMBI**

**GRANIZADORA DE BANCO  
GRANITA MACHINE  
GRANITORE DA BANCO**

**GSM-5x2 TS-E 230/50 BLANCA**

**Ref.: SL900492332**

**230 V. / 50 Hz.**



## LISTA DE PIEZAS

Nº	Referencia	Denominación
1	SL320000815	Tapa blanca
2	SL340000541	Cuba 5 litros
3	SL300951293	Pasador grifo EURO - blanco
4	SL300950331	Leva grifo GHZ EURO blanca
5	SL320001401	Muelle grifo 8 VTLS ø1.6
6	SL310001843	Junta tórica Ø15 x Ø2 silicona - roja
7	SL310001367	Pistón grifo LD - blanco
8	SL320001758	Junta especial pistón LD - blanca
9	SL320000868	Panel lateral izquierdo
10	SL320000884	Panel frontal GS 5x2 GRANISMART 2
11	SL340000501	Bandeja goteo completa - blanca
11 <sub>1</sub>	SL300970007	Rejilla goteo GB - blanca
11 <sub>2</sub>	SL300970003	Bandeja goteo GB - blanca
12	SL30PZ12NT8	Tubo desagüe silicona 8x12 x mts.
13	SL3GS24118A	Candado
14	SL310003257	Soporte evaporador PZ-2 - blanco
15	SL300951868	Soporte evaporador PZ-1 - blanco
16	SL310003258	Soporte evaporador - blanco
17	SL300500133	Junta depósito
18	SL340001577	Evaporador GS2 sonda frontal
19	SL320002598	Casquillo evaporador GHZ-G5 2M6 V/9
20	SL320000795	Pala espiral
21	SL310003830	Junta estanqueidad eje GHZ-GB 2M6 sil.traslu.
22	SL300950069	Tapón bandeja superior GHZ/SPIN - blanco
23	SL320000793	Bandeja superior - blanca
24	SL320000806	Soporte bandeja superior
25	SL320000810	Panel trasero
26	SL320000773	Chasis
27	SL320002417	Panel lateral derecho GS.2 TS-E
28	SL300951357	Pie nivelador GHZ-14 V/99
29	SL320000812	Soporte panel lateral
30	SL340000487	Filtro receptor gas
31	SL320000778	Filtro deshidratador
32	SL310003935	Manguera 3x1,5 2M.Schuko+PA107 GS1/2/3 FB4
33	SL330000169	Condensador
34	SL310004348	Tapa sop.evap.GS SENC blanca

Nº	Referencia	Denominación
35	SL3GS12036A	Sujeción sistema regulación
36	SL3GS12035A	Vástago regulación
37	SL320000805	Soporte sensor blanco
38	SL3GS12037B	Guía muelle sistema regulación
39	SL300950558	Muelle regulación
40	SL310001422	Motorreductora KENTA mono 220/50
41	SL310002029	Racord eje transmisión TMC 06
42	SL310002027	Pasador inox DIN 1481 Ø4x18
43	SL300950587	Minirruptor completo GHZ V/99
44	SL320002575	Eje transmisión GSM G5 TMC 06
45	SL38EAE48GL	Bobina electroválvula 230/50-60
46	SL3GS24711B	Electroválvula doble completa 230V - 50/60Hz
47	SL320000783	Soporte electroválvulas
48	SL300003131	Interruptor luces verde
49	SL330000096	Protector interruptor 22x30
50	SL330000209	Interruptor negro UL 11x30 SIGNAL LUX
51	SL330000210	Conmutador negro UL 11x30 SIGNAL LUX
52	SL3GS36054A	Clip enganche panel lateral
53	SL320000787	Tubo pre-capilar
54	SL310002739	Transf. temp. termost. termóm. 3VA bi-tensión
55	SL330000171	Hélice ventilador Ø200/34°
56	SL330000213	Motoventilador 10W 220/50-60
57	SL310002672	Compresor EMT2125GK 220/50
58	SL340000513	Grupo condensador completo
59 <sub>1</sub>	SL310002853	Relé compresor EMT2125GK 220/50
59 <sub>2</sub>	SL310002854	Clixon compresor EMT2125GK 220/50
59 <sub>3</sub>	SL310002985	Condensador compresor EMT2125GK 220/50
60	SL300951191	Obturador enchufe tapa sop. evap. - blanco
61	SL310002736	Sonda temperatura TS-E L.1150
62	SL310005400	Termostato electr.TS-E 12V prog. 2S CRM
63	SL330000119	Protector interruptor 11x30
64	SL310002832	Condensador 0'022 mF 275V
65	SL310002830	Adhesivo mandos GS5-2 TS-E BG
66	SL320002712	Sujeción sonda TSE GS
67	IC541000418	Junta tórica 1,78x11,11 SL 60 114 roja
68	SL320002713	Racord exterior sonda evap. GS

## LIST OF COMPONENTS PARTS

N°	Reference	Description
1	SL320000815	Cover - White
2	SL340000541	Bowl
3	SL300951293	Spigot pin EURO - White
4	SL300950331	Spigot handle GHZ EURO - White
5	SL320001401	Spigot spring
6	SL310001843	O-ring Ø15 x Ø2 silicone - Red
7	SL310001367	Spigot plunger
8	SL320001758	Gasket spigot
9	SL320000868	Left panel
10	SL320000884	Front panel
11	SL340000501	Drip tray assy - White
11 <sub>1</sub>	SL300970007	Screen for leaking GB - White
11 <sub>2</sub>	SL300970003	Tray for leaking GB - White
12	SL30PZ12NT8	Drain pipe silicone 8x12 x mts.
13	SL3GS24118A	Padlock
14	SL310003257	Evaporator support pz. 2 - White
15	SL300951868	Evaporator support pz. 1 - White
16	SL310003258	Evaporator support assy - White
17	SL300500133	Evap-/bowl rear gasket
18	SL340001577	Evaporator GS2 front probe
19	SL320002598	Shaft supporting bushing GHZ-G5 2M6 V/9
20	SL320000795	Auger spiral
21	SL310003830	Watertight shaft joint GHZ GB 2M6 sil.translu.
22	SL300950069	Evaporator tray bung - White
23	SL320000793	Evaporator tray - White
24	SL320000806	Evaporator tray support
25	SL320000810	Rear panel
26	SL320000773	Chassis
27	SL320002417	Right panel GS.2 TS-E
28	SL300951357	Robber foot GHZ-14 V/99
29	SL320000812	Side panel support
30	SL340000487	Receiver
31	SL320000778	Dryer
32	SL310003935	Power cable TS-E 1 3x1,5 L.2M. Schuko+PA107
33	SL330000169	Condenser
34	SL310004348	Evap.sup.cover GS SENC white

N°	Reference	Description
35	SL3GS12036A	Hardness control pin catch
36	SL3GS12035A	Hardness control pin
37	SL320000805	Sensor support - White
38	SL3GS12037B	Hardness control pin bushing
39	SL300950558	Torque compression spring (1.1 Blan)
40	SL310001422	Gear motor KENTA mono 220/50
41	SL310002029	Transmission shaft racor TMC 06
42	SL310002027	Stainless steel blade pin DIN 1481 Ø4x18
43	SL300950587	Limit switch
44	SL320002575	Drive shaft for spiral GSM G5 TMC 06
45	SL38EAE48GL	Ev-coil - gas 230V - 50/60 Hz
46	SL3GS24711B	Double solenoid valve assy 230V - 50/60Hz
47	SL320000783	Solenoid valve support
48	SL300003131	General switch green I/O lighted
49	SL330000096	Cover protection for switch 22x30
50	SL330000209	Black switch UL 11x30 SIGNAL LUX
51	SL330000210	Change-over switch UL 11x30 SIGN.LUX
52	SL3GS36054A	Clip hooking side panel
53	SL320000787	Pre-capillary pipe
54	SL310002739	Transformer 3VA 220/50-115/60 12V
55	SL330000171	Fan blade VA Ø200/34° (For mod. 230/240V - 50Hz)
56	SL330000213	Fan motor 230/240V - 50/60Hz "10W"
57	SL310002672	Compressor EMT2125GK 220/50
58	SL340000513	Condenser group assy
59 <sub>1</sub>	SL310002853	Compressor relay EMT2125GK 220/50
59 <sub>2</sub>	SL310002854	Compressor clixon EMT2125GK 220/50
59 <sub>3</sub>	SL310002985	Compressor condenser EMT2125GK 220/50
60	SL300951191	Switch obturator - white
61	SL310002736	Temperature probe TS-E L.1150
62	SL310005400	Electronic thermostat TS-E 12V prog. 2S CRM
63	SL330000119	Cover protection for switch 11x30
64	SL310002832	Condenser 0'022 mF 275V
65	SL310002830	Command adhesive GS5-2 TS-E BG
66	SL320002712	Subjection probe TSE GS
67	IC541000418	O-ring 1,78x11,11 SL 60 114 red
68	SL320002713	Outdoor racord probe evap. GS

## ELENCO COMPONENTI

N°	Codice	Descrizione
1	SL320000815	Coperchio Bianco
2	SL340000541	Vasca 5 litri
3	SL300951293	Spina leva rubinetto EURO - Bianca
4	SL300950331	Leva rubinetto GHZ EURO - Bianca
5	SL320001401	Molla cilindrica rubinetto
6	SL310001843	Guarnizione Ø15 x Ø2 silicone - rossa
7	SL310001367	Corpo rubinetto
8	SL320001758	Guarnizione rubinetto
9	SL320000868	Pannello sinistro
10	SL320000884	Pannello anteriore GS2
11	SL340000501	Vaschetta sgocciolio completa Bianca
11 <sub>1</sub>	SL300970007	Griglia di scolo GB-10 - bianca
11 <sub>2</sub>	SL300970003	Raccogliore di scolo GB-10 - bianco
12	SL30PZ12NT8	Tube scarico condensa silicone 8x12 x mts.
13	SL3GS24118A	Lucchetto
14	SL310003257	Supporto evaporatore. pz. 2 Bianco
15	SL300951868	Supporto evaporatore GHZ PZ-1 - Bianco
16	SL310003258	Supporto evaporatore completo Bianco
17	SL300500133	Guarnizione evaporatore/vasca
18	SL340001577	Evaporatore GS2 V10 completo
19	SL320002598	Boccola sostegno albero GHZ-G5 2M6 V/9
20	SL320000795	Coclea
21	SL310003830	Guarnizione ventosa GHZ GB 2M6 sil.traslu.
22	SL300950069	Tappo vassoio superiore
23	SL320000793	Piano evaporatore Bianco
24	SL320000806	Supporto piano evaporatore
25	SL320000810	Pannello posteriore
26	SL320000773	Telaio
27	SL320002417	Pannello destro Vers. GS.2 TS-E
28	SL300951357	Piedini livellamento GHZ-14 V/99
29	SL320000812	Supporto pannello laterale
30	SL340000487	Boiler
31	SL320000778	Filtro
32	SL310003935	Cavo alimentazione TS-E 1 3x1,5 L.2M. Schuko+PA107
33	SL330000169	Condensatore frigo GS2 D77674
34	SL310004348	Coperchio sup.evap. GS SENC bianco

N°	Codice	Descrizione
35	SL3GS12036A	Fermo perno regolazione durezza
36	SL3GS12035A	Perno regolazione durezza
37	SL320000805	Supporto sensore bianco
38	SL3GS12037B	Boccola perno regolazione durezza
39	SL300950558	Molla regolazione durezza
40	SL310001422	Motoriduttore KENTA mono 230V - 50Hz
41	SL310002029	Raccordo albero trascinalimento TMC 06
42	SL310002027	Spina inox DIN 1481 Ø4x18
43	SL300950587	Microinterruttore
44	SL320002575	Albero trascinalimento GSM G5 TMC 06
45	SL38EAE48GL	Bobina elettrovalvola gas 230V 50/60HZ
46	SL3GS24711B	Elettrovalvola completa doppia 220/50
47	SL320000783	Supporto elettrovalvola
48	SL300003131	Interruttore generale luminoso 22x30 verde
49	SL330000096	Cappuccio protezione Interruttore 22x30
50	SL330000209	Interruttore nero UL 11x30 SIGNAL LUX
51	SL330000210	Deviatore nero UL 11x30 SIGNAL LUX
52	SL3GS36054A	Clips aggancio pannello laterale
53	SL320000787	Tube precapillare
54	SL310002739	Transf. termost. elettronico 3VA bi tensione
55	SL330000171	Ventola VA Ø200/34° (Per mod. 230/240V - 50Hz)
56	SL330000213	Motoventilatore 10W 230-240/50-60
57	SL310002672	Compressore EMT2125GK 220/50
58	SL340000513	Gruppo condensatore assiemato
59 <sub>1</sub>	SL310002853	Relé compressore EMT2125GK 220/50
59 <sub>2</sub>	SL310002854	Salvamotore compressore EMT2125GK 220/50
59 <sub>3</sub>	SL310002985	Condensatore compressore EMT2125GK 220/50
60	SL300951191	Otturatore presa elettrica - bianco
61	SL310002736	Sonda temperatura TS-E L.1150
62	SL310005400	Termostato elect. TS-E 12V prog. 2S CRM
63	SL330000119	Cappuccio protezione Interruttore 11x30
64	SL310002832	Condensatore 0'022 mF 275V
65	SL310002830	Adesivo comandi GS5-2 TS-E BG
66	SL320002712	Fermo sonda TSE GS
67	IC541000418	Guarnizione 1,78x11,11 SL 60 114 rossa
68	SL320002713	Raccordo esterno sonda evap. GS

DESPIECE - EXPLODED VIEW -ESPLOSO DISEGNO

