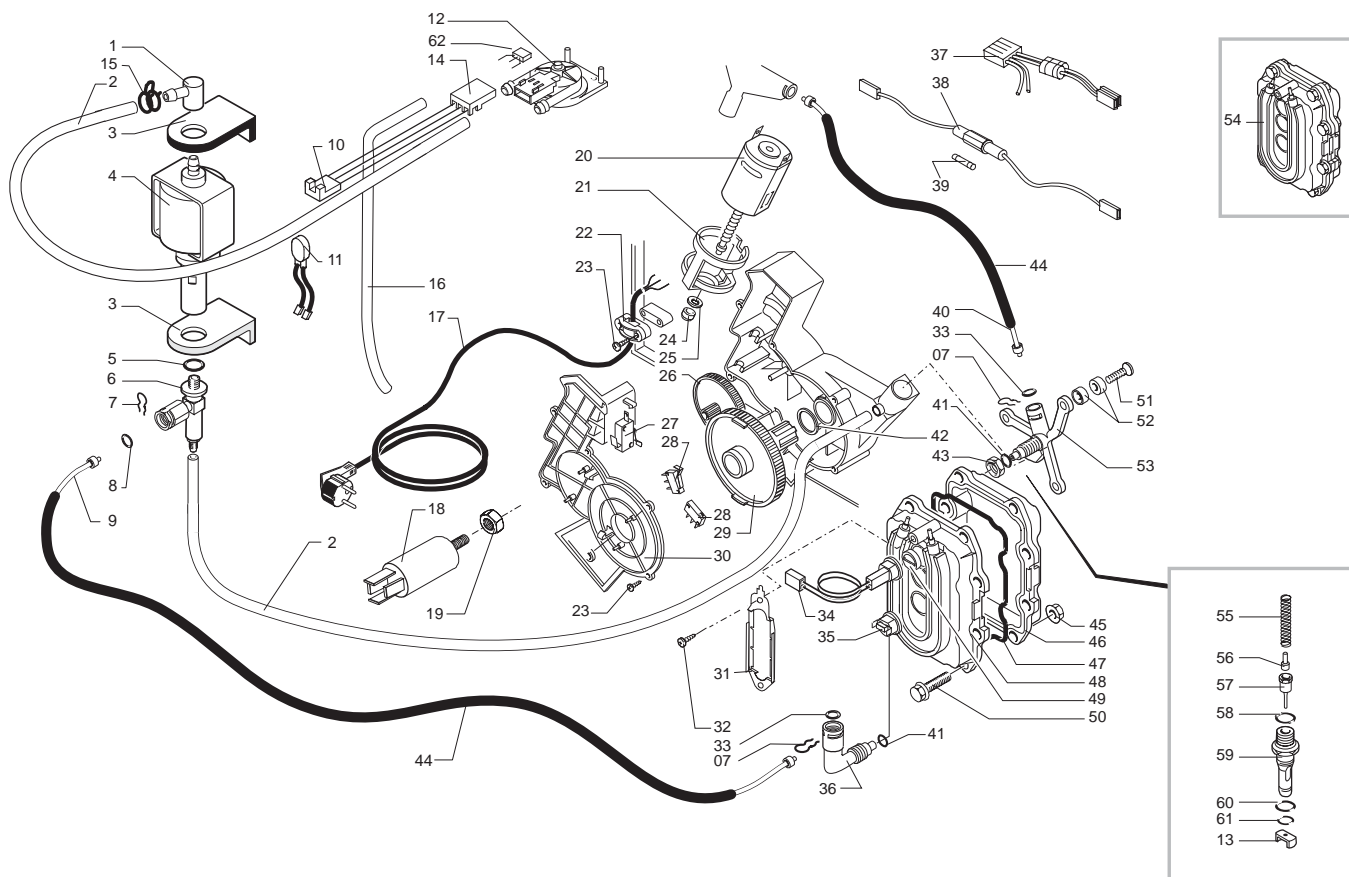


GAGGIA® SUP 020 / SUP 020R



SYNCRONY LOGIC

POS	CODE	DESCRIPTION	NOTE	POS	CODE	DESCRIPTION	NOTE
01	\$142813480	Water container lid transparent grey		11000959	Electronic board ass. 3 button/V2 g-w		230V Inox
02	\$222692180	Water container ass. transparent grey		\$281566482	Electronic board ass. M-L /SV g-w		120V SUP020R
03	\$144650800	External water tank filter					Inox - Rapid Steam
04	\$140328461	Or metric 0019-10	EPDM	40	%0311.020	Bracket for door closure	
05	\$140324362	OR metric 0060-30	SILICONE	41	\$142482699	Transparent cap led cover	
06	\$126764718	Spring water container valve cap.		42	\$224884650	Front panel black s/screen satrap	
07	\$147660562	Piston for water valve grey cap		43	\$147716559	Controls selection knob grey	
08	\$165890900	Instructions book Gaggia Synchrony Logic /UL		44	\$223700550	Coffee dispenser black	
	15000200	Instructions book Gaggia Synchrony Logic /UL 'J'		45	\$222482250	Casing ass. black spares	
	\$165899300	Instructions book Gaggia Synchrony Logic/SV	SUP020R		\$222482218	Casing ass. black spares/UL	
09	\$127390100	Brush for cleaning		46	\$228982107	Door painted anthracite	
10	\$142660259	Grey phase key for brew unit			\$228982141	Door painted silver	
11	\$175896900	Double upper polystyrene insert		47	\$145743250	Black grate for	
12	\$175897000	Double lower polystyrene insert		48	\$229630707	Drip tray painted anthracite	
13	\$178506600	Display box Gaggia Synchrony Logic			\$229630741	Drip tray painted silver	
14	%0701.031.150	Valve gasket cover grey		49	%9991.105	Magnet D.9	
15	\$145842900	Water container valve seal Gaco dim 14		50	\$147622850	Foot black for planeta caffè	
16	%NE03.028	Molvenco switch B1031C1181000		51	\$145500211	Red float for seb gran caffè	
17	\$129535721	Screw TSP 3,5x9,5 DIN 7982	INOX	52	%U140.004	Panelvit TCB screw 3x12 DIN 7505	ZNP
18	%0701.014.150	Valve seal support grey		53	\$175896300	Polystyrene insert 388x413x17	
19	%NMO2.004	OR ORM080-20	TERMOIL	54	\$123591920	Brass spacer D=7,9 H=1,8 cop.	
20	\$227751308	Cups protection	CHROMED	55	\$129827002	Screw TCB M5X16 UNI 7687	ZNP
21	\$222762307	Ground coffee doser lid anthracite		56	\$127751702	DA MATR. 9005GA40019881	
	\$222762341	Ground coffee doser lid silver				Casing protection plate - Galvanized	
22	\$149260759	Hopper grey ground coffee doser				DA MATR. 9005GA40019881	
23	\$129670202	Panelvit TCB screw 3,5x16 head d=8	ZNP	57	%U324.003	Flange nut M5 with notched base	
24	\$222811007	Cover anthracite silk/screened				DA MATR. 9005GA40019881	
	\$222811041	Cover silver silk/screened					
	\$222811006	Cover silver silk/screened/UL					
25	\$129660902	Panelvit TCB screw 3,5x12 D.7505	ZNP				
26	\$142602050	Dump box black					
27	\$145894700	Rotating ring retaining insert					
28	\$147622150	Foot for revolving ring					
29	\$220380159	Rotating ring as.Grey	With pos. 28				
30	\$142813680	Coffee bean container Lid transparent grey					
31	%9141.051.490	Grinding adjustment knob					
32	\$129517103	Screw TCB 3,5x38,1 DIN 7981	NIK				
33	\$142713680	Bean container grey w/o slots					
	\$142713780	Bean container grey w. slots					
34	%U109.029	Screw aut. TCB 3,5x32 DIN 7981 C	NIK				
35	\$147715659	Coffee dose adjustment knob					
36	\$146001850	Coffee dose adj. gear black					
37	\$146000850	Gear coffee grind. adjustment combi					
38	%9161.270	Seal for coffee container					
39	\$281561083	Electronic board ass. 3 button g-w	230V Aluminum				
	\$281566382	Electronic board ass. 3 button g-w	120V Inox				



GAGGIA® SUP 020

ALUMINUM BOILER



SYNCRONY LOGIC

POS	CODE	DESCRIPTION	NOTE
01	\$147920150	90 Degree conn. in Santoprene neutral	
02	\$149360200	Silicone tube 5x8 70SR	IN ROLL
03	\$149185850	Eaton pump support	
04	\$187720958	Ulka pump 2 EX 5	230V
05	\$140321961	Or 2031	TERMOIL
06	\$229451300	Pump safety valve d=8	
07	%9011.144	Fork for tube d.4	
08	%NM02.028	Or 2015	EPDM/FDA
09	\$227871900	Connector ass. Teflon 2x4	L=250 mm
10	\$283550700	3 Pol. connector ass. turbine JP4	
11	\$289202100	Thermal Protection 120°C cable.125/545	
12	\$286473300	*"M" vde turbine with sensor kit	
13	%9011.099	Cursor ins. boiler valve	
14	%9161.018	Spacer for turbine cables	
15	\$184320200	Spring hose clamp D=9,5mm	
16	%JS01.022	Silicone tube 5x10 60SR	IN ROLL
17	\$283910250	Black Schuko power cable ass. with toroide	L=1500 mm
	\$283970150	Black UK power cable with toroide	L=1600 mm
	\$283940150	Black Australia power cable with toroide	L=1500 mm
18	\$184651100	Antijamming filter 0,47x2+1000y2+0,5l	
19	\$123453602	Flange nut M8 toothed base	ZNP
20	\$286891758	Motor as. 33V C.C. ratiomotor	230V
21	%9121.044	Ratiomotor antivibrat. protection	
22	\$148600600	Cable clamp VO UL	
23	\$129670202	Panelvit TCB screw 3,5x16 head d=8	ZNP
24	%9121.046	Brass sint. bush motor ratiomotor	
25	\$148380200	Washer bakeliz. D=5,5 ratiomotor	
26	%9121.042	Gear 12/90 for ratiomotor	
27	%NE05.042	Microswitch	
28	%NE05.038	Microswitch	
29	%9121.068.150	Gear Z.108 for mounting plate	
30	%9161.200.920	Lid for ratiomotor	
31	\$126836517	Steel spring retainer for 3 thermostat	
32	\$129575403	Screw TAPT M5x10 DIN 7500C	NIK
33	\$140328059	OR 2015	PTFE/FDA
34	\$288581358	Sensor ass.	230V
	\$288581558	Sensor ass.	230V
35	\$189428200	Thermostat 175° 1NT-08L-3794	
36	\$127914020	*"Brass 90 degree fit.1/8" gas master	
37		Particular not available	SEE PART. N°20
38	\$183361362	Cable 1 str. silicon blue + thermal 6,3 A	
39	\$327002200	Fuse T 6,3 A 5X20 delayed	
40	\$227872000	Connector ass. teflon 2x4	L=440MM
41	\$140321462	Or 2018	SILICONE
42	%9161.132	Mylar washer for ratiomotor	
43	\$123390420	Nut 1/8 gas H = 4.5 Ch = 13	BRASS

POS	CODE	DESCRIPTION	NOTE
44	\$149361200	Silicone black tube 7,5x9,3	IN ROLL
45	\$123270102	Nut M6 flanged toothed base	ZNP
46		Particular not available	SEE PART. N°54
47	\$145854259	Boiler seal	PTFE/FDA
48		Particular not available	SE PART. N°54
49	\$123591222	Alu. spacer new for sensor	
50	%U046.004	Screw TEFZ M 6,0x26	ZNP
51	%U044.017	Screw TSPC M 5,0x20 UNI 7688	ZNP
52	%9161.206	Insulating spacer for boiler	
53	%9011.126	Alu. boiler support brass	
54	\$282058158	Anodized alu. boiler ass. with faston	230V
55	%9011.132	Spring for pin	
56	\$127471620	Brass pin for boiler piston	BRASS
57	\$227660103	Piston ass. w/groove	BRASS/NIK
58	\$140320459	Or metrico 0080-20 silicone	PTFE/FDA
59	%9011.100	Pin for boiler valve	
60	%NM01.035	Or orm 0090-20	SILICONE
61	%NM01.057	Or orm 0050-20	SILICONE
62		Particular not available	SEE PART. N°12
	\$289435100	General turbine ass. for spares	

GAGGIA® SUP 020

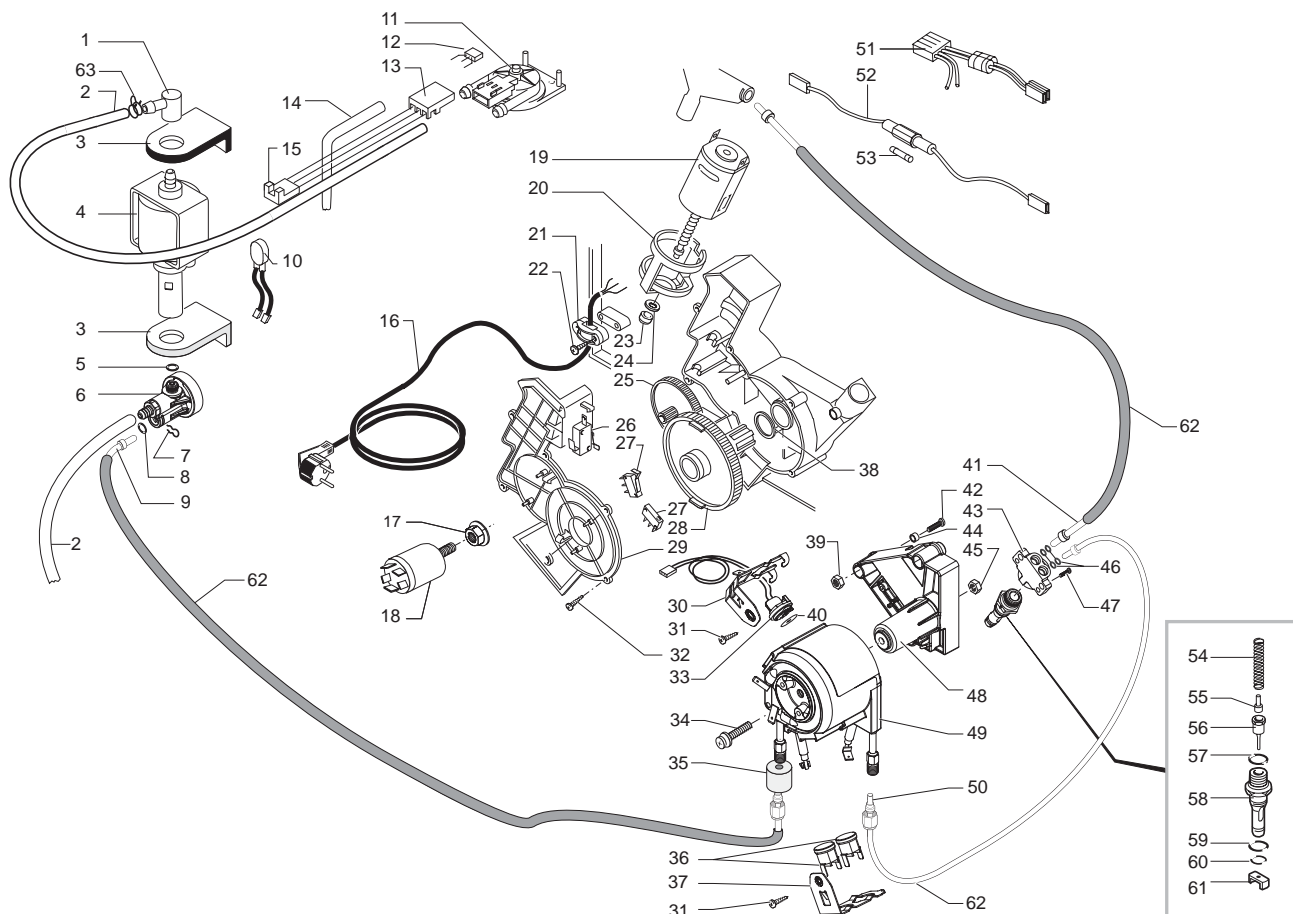
Esp. E74043

09/06/05

ALUMINUM BOILER

06/09/06

TABLE 2/5



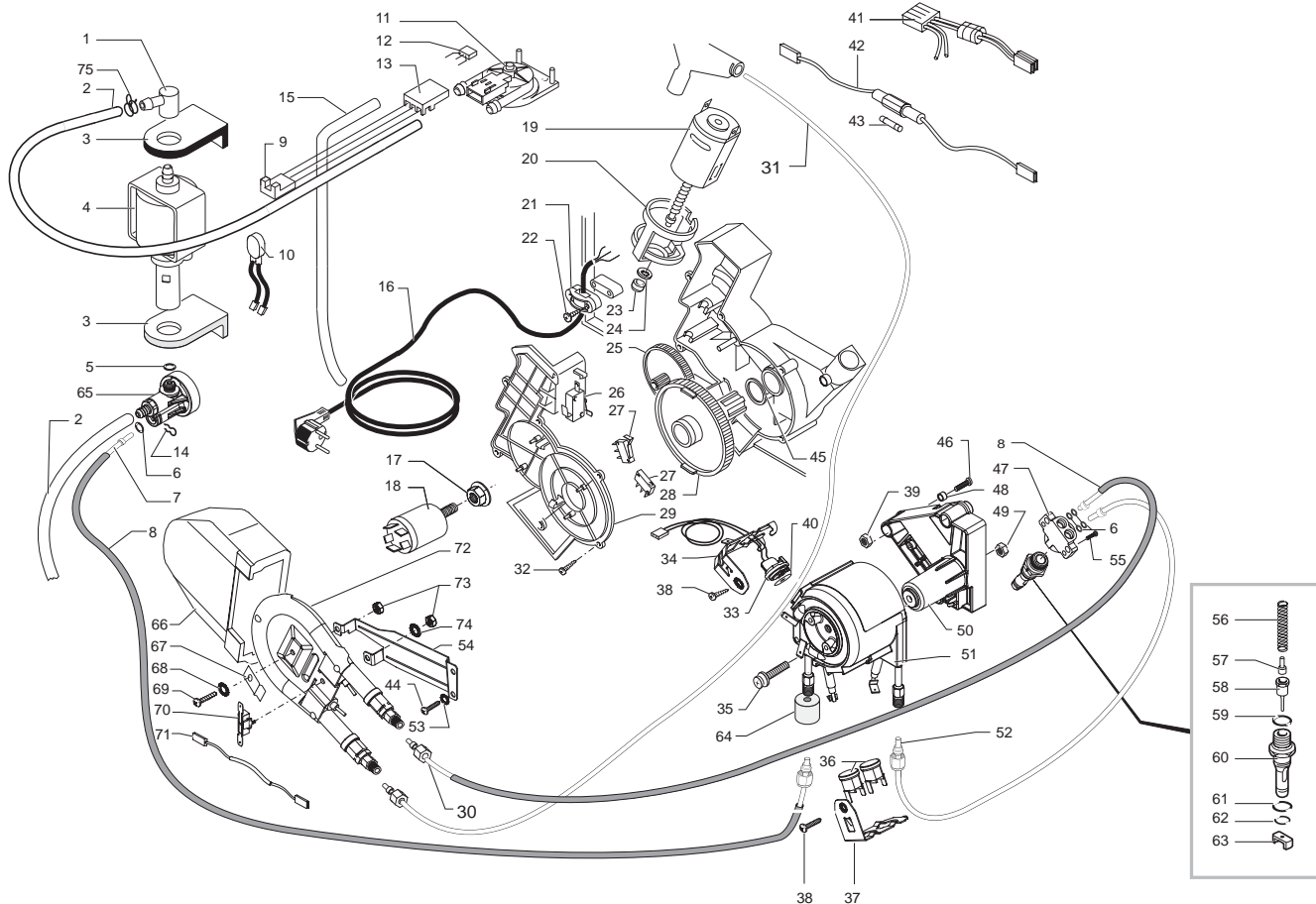
GAGGIA® SUP 020 INOX BOILER WITH RESISTANCE



SYNCRONY LOGIC

POS	CODE	DESCRIPTION	NOTE
01	\$147920150	90 Degree conn. in Santoprene neutral	
02	\$149360200	Silicone tube 5x8 70SR	IN ROLL
03	\$149185850	Eaton pump support	
04	\$187720955	Ulka pump 2 EX 5	120V
	\$187720958	Ulka pump 2 EX 5	230V
05	\$140321961	Or 2031	TERMOIL
06	\$229452100	Compensation and safety valve ass.	
07	%9011.144	Fork for tube d=4	
08	\$140328059	Or 2015	EPDM/FDA
09	\$227874900	Connector ass. Teflon 2x4	L=250MM
10	\$289202400	3 Pol. connector ass. turbine JP4	
11	\$286473300	*M* vde turbine with sensor kit	
12		Particular not available	SEE PART. N°11
13	%9161.018	Spacer for turbine cables	
14	%JS01.022	Silicone tube 5x10 60SR	IN ROLL
15	\$283550700	3 Pol. connector ass. turbine JP4	
16	\$289183543	Black USA power cable ass.	120V
	11001093	Schuko power cable ass.	
	11001310	UK power cable ass.	
	11001257	Australia power cable ass.	
17	\$123453602	Flange nut M8 toothed base	ZNP
18	\$184651100	Antijamming filter 0,47x2+1000y2+0,5l	120V
	\$184651500	Antijamming filter 16A F.N.C.16.10.474.472.A	230V
19	\$286892855	Motor as. 33V C.C. ratiomotor	120V
20	%9121.044	Ratiomotor antivibrat. protection	
21	\$148600600	Cable clamp V0 UL	
22	\$129670202	Panelvit TCB screw 3,5x16 head d=8	ZNP
23	%9121.046	Brass sint. bush motor ratiomotor	
24	\$148380200	Washer bakeliz. D=5,5 ratiomotor	
25	%9121.042	Gear 12/90 for ratiomotor	
26	%NE05.042	Microswitch	
27	%NE05.038	Microswitch	
28	%9121.068.150	Gear Z.108 for mounting plate	
29	%9161.200.920	Lid for ratiomotor	
30	\$126838217	Sensor fixing spring	
31	\$129573202	TCB PH/TT screw 4x8 UNI 8112	ZNP
32	\$129670202	Panelvit TCB screw 3,5x16	ZNP
33	\$288582300	Sensor assembly	
34	\$129932202	Round head screw 10.9 M5x20	ZNP
35	\$147756562	Protection for folk spring tube d=4	
36	\$189428600	Thermostat 175°	
37	\$126838117	Retaining spring 2 thermostat	
38	%9161.132	Mylar washer for ratiomotor	
39	\$123160502	Nut M5 high UNI 5587-68	ZNP
		UNTILL SERIAL NUMBER 9005GA40020461	

POS	CODE	DESCRIPTION	NOTE
40	\$145951600	Electric insulating disk Keratherm	
41	\$227872000	Connector ass. teflon 2x4	L = 440 mm
42	%U044.020	TSP screw M5x20 UNI 7688	ZNP
		UNTILL SERIAL NUMBER 9005GA40020461	
	\$129932502	Thread forming screw hex head 5X30	ZNC
		FROM SERIAL NUMBER 9005GA40020462	
43	\$227900320	Brass connector for boiler support	
44	%9161.206	Insulating spacer for boiler	
45	\$123453902	Self lock. nut M5x0,8 DIN980	
46	\$140328059	OR 2015 silicone	PTFE/FDA
47	\$129910103	Hi-lo TC screw 3,5x15	
48	20000203	Support kit for tubular boiler	
		UNTILL SERIAL NUMBER 9005GA40020461	
	\$149197900	Support for aluminum boiler	
		FROM SERIAL NUMBER 9005GA40020462	
49	\$282058855	Aluminum boiler ass. with resistance	120V
	\$282058858	Aluminum boiler ass. with resistance	230V
50	\$227876800	Connector ass. teflon 2x4	L=235MM
51		Particular not available	SEE PART. N°19
52	\$183361062	Cable 1 wire silic. blue AWG18 + fuse	120V
	\$183361362	Cable 1 wire silic. blue T.6,3A + fuse	230V
53	\$189450200	Fuse T15 delayed	120V
	\$327002200	Fuse T6.3 delayed	230V
54	%9011.132	Spring for pin	
55	\$127471620	Brass pin for boiler piston	BRASS
56	\$227660103	Piston ass. w/groove	BRASS/NIK
57	\$140320459	Or metrico 0080-20 silicone	PTFE/FDA
58	%9011.100	Pin for boiler valve	
59	%NM01.035	Or orm 0090-20	SILICONE
60	%NM01.057	Or orm 0050-20	SILICONE
61	%9011.099	Cursor ins. boiler valve	
62	\$149361200	Silicone black tube 7,5x9,3	IN ROLL
63	\$184320200	Spring for tube tightening D=9,5mm	
		General turbine ass. for spares	
	\$289435100		
	\$282126755	Tubular all.boiler gen.ass. MP5000 w/res.120V	COMPLETE
	11001097	Tubular all.boiler gen.ass. MP5000 w/res.230V	COMPLETE
		with partic. n°09-30-31-33-34-35-36-37-40-43-45-46-47	
		48-48-50-54-56-57-58-59-60-61	



GAGGIA® SUP 020R INOX BOILER WITH RESISTANCE



SYNCRONY LOGIC

POS	CODE	DESCRIPTION	NOTE
01	\$147920150	90 Degree conn. in Santoprene neutral	
02	\$149360200	Silicone tube 5x8 70SR	IN ROLL
03	\$149185850	Eaton pump support	
04	\$187720955	Ulka pump 2 EX 5	120V
	\$187720958	Ulka pump 2 EX 5	230V
05	\$140321961	Or 2031	TERMOIL
06	\$140328059	Silicon OR 2015	PTFE/FDA
07	\$227874900	Connector ass. Teflon 2x4	L=250mm
08	\$149361200	Silicon tube 7,5x9,3 - Black	
09	\$283550700	3 Pol. connector ass. turbine JP4	
10	\$289202400	Thermoprotection ass. 120°C	
11		Particular not available	SEE PART. N°12
12	\$286473300	*M" vde turbine with sensor kit	WITH PART. N°11
13	%9161.018	Spacer for turbine cables	
14	%9011.144	Fork for tube D=4	
15	%JS01.022	Silicone tube 5x10 60SR	IN ROLL
16	\$289183543	Black USA power cable ass.	120V
	11001093	Schuko power cable ass.	
	11001310	UK power cable ass.	
	11001257	Australia power cable ass.	
17	\$123453602	Flange nut M8 toothed base	ZNP
18	\$184651100	Antijamming filter 0,47x2+1000y2+0,5l	120V
	\$184651500	Antijamming filter 16A F.N.C. 16.10.474.472.A	230V
19	\$286892855	Motor as. 33V C.C. ratiomotor	120V
20	%9121.044	Ratiomotor antivibrat. protection	
21	\$148600600	Cable clamp V0 UL	
22	\$129670202	Panelvit TCB screw 3,5x16 head d=8	ZNP
23	%9121.046	Brass sint. bush motor ratiomotor	
24	\$148380200	Washer bakeliz. D=5,5 ratiomotor	
25	%9121.042	Gear 12/90 for ratiomotor	
26	%NE05.042	Microswitch	
27	%NE05.038	Microswitch	
28	%9161.068.150	Coffee case for group - grey	
29	%9161.200.920	Ratiomotor cover	
30	\$227875300	Teflon fitting+nut+protection ass. 2x4	L=275mm
31	\$227875700	Teflon fitting+nut+protection ass. 2x4	L=530mm
32	\$129670202	Panelvit TCB screw 3,5x16u	
33	\$288582300	Sensor assembly	
34	\$126838217	Sensor fixing spring	
35	\$129932202	Round head screw 10,9 M5x20	
36	\$109428600	Thermostat 175°	
37	\$126838117	Thermostat fixing spring	
38	\$129573202	TCB PH/TT screw 4x8 UNI 8112	ZNP
39	%U310.003	Nut M5 UNI 7473	ZNP
40	\$145951600	UNTILL SERIAL NUMBER 9005GA40020461 Electric insulating disk Keratherm	

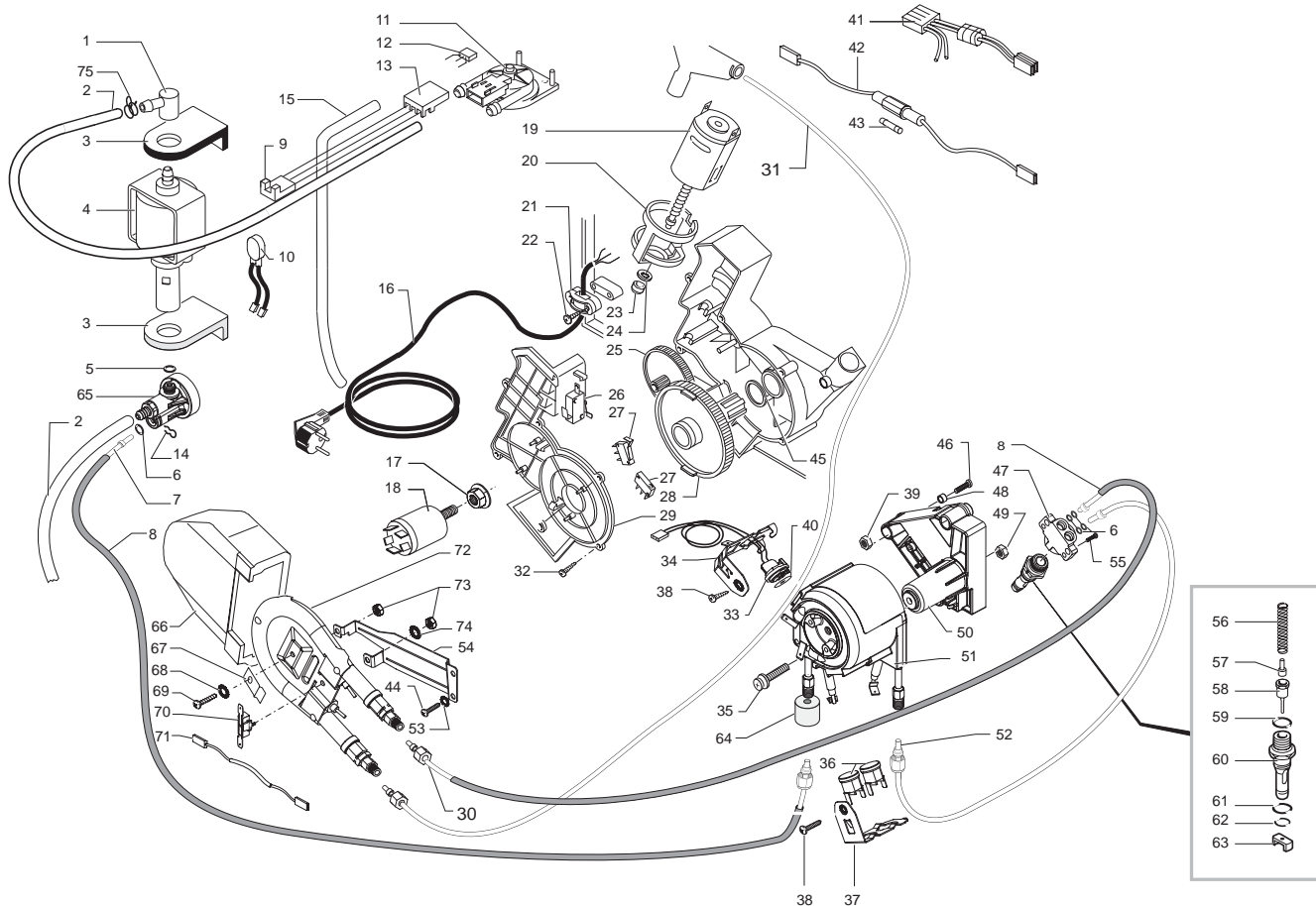
POS	CODE	DESCRIPTION	NOTE
41		Particular not available	
42	\$183361462	Cable 1 wire silic. blue AWG18 + fuse	
43	\$184950200	Fuse T15 delayed	120V
44	\$129573402	Screw TCB PH/SW 4x10 UNI 8112	ZNP
45	%9161.132	Mylar washer for ratiomotor	
46	%U044.020	TSP screw M5x30 UNI 7688	ZNP
	\$129932502	UNTILL SERIAL NUMBER 9005GA40020461 TSP thread forming screw 5x30 hex head FROM SERIAL NUMBER 9005GA40020462	ZNP
47	\$227900320	Brass connector for boiler support	
48	%9161.206	Insulating spacer for boiler	
49	\$123453902	Self lock. nut M5x0,8 DIN980	
50	20000203	Tubular boiler support kit	
	\$149197900	UNTILL SERIAL NUMBER 9005GA40020461 Support for aluminum boiler FROM SERIAL NUMBER 9005GA40020462	
51	\$282058855	Aluminum boiler ass. with resistance	120V
	\$282058858	Aluminum boiler ass. with resistance	230V
52	\$227876800	Connector ass. teflon 2x4	L=235MM
53	\$128310404	Washer UNI 8842 A4	Burnished
54	\$129024802	Square for boiler fixing	ZNP
55	\$129910103	Hi-lo TC screw 3,5x15	
56	%9011.132	Spring for pin	
57	\$127471620	Pin for piston L=20,9mm	BRASS
58	\$227660100	Pin ass. with groove	BRASS
59	\$140320459	Metric OR silicon	PTFE/FDA
60	%9011.100	Pin for plastic valve	
61	%NM01.035	OR ORM 0090-20	silicon
62	%NM01.057	OR ORM 0050-20	silicon
63	%9011.099	Cursor ins. boiler valve	
64	\$147756562	Protection for folk spring tube d=4	
65	\$229452100	Compensation and safety valve ass.	
66	\$147755100	Protection for Bleckmann resistance	
67	\$127535319	Plaque for fuse fixing	
68	\$128310404	Washer UNI 8842 A4	burnished
69	\$129823802	TCB screw M4X8 UNI 7687	ZNP
70	\$189428300	175°C Thermostat	
71	\$183441062	Cable 1 wire silic. blue AWG18 + fuse 229°C	
72	\$288140458	Bleckmann resistance ass.	120V
	\$288140458	Bleckmann resistance ass.	230V
73	%U302.003	Hex head nut M4 UNI 5588	ZNP
74	\$128420102	Elastic washer UNI 1751 B4	ZNP
75	\$184320200	Spring for tube tightening D=9,5mm	

GAGGIA® SUP 020R INOX BOILER WITH RESISTANCE

Esp. E74043 09/06/05

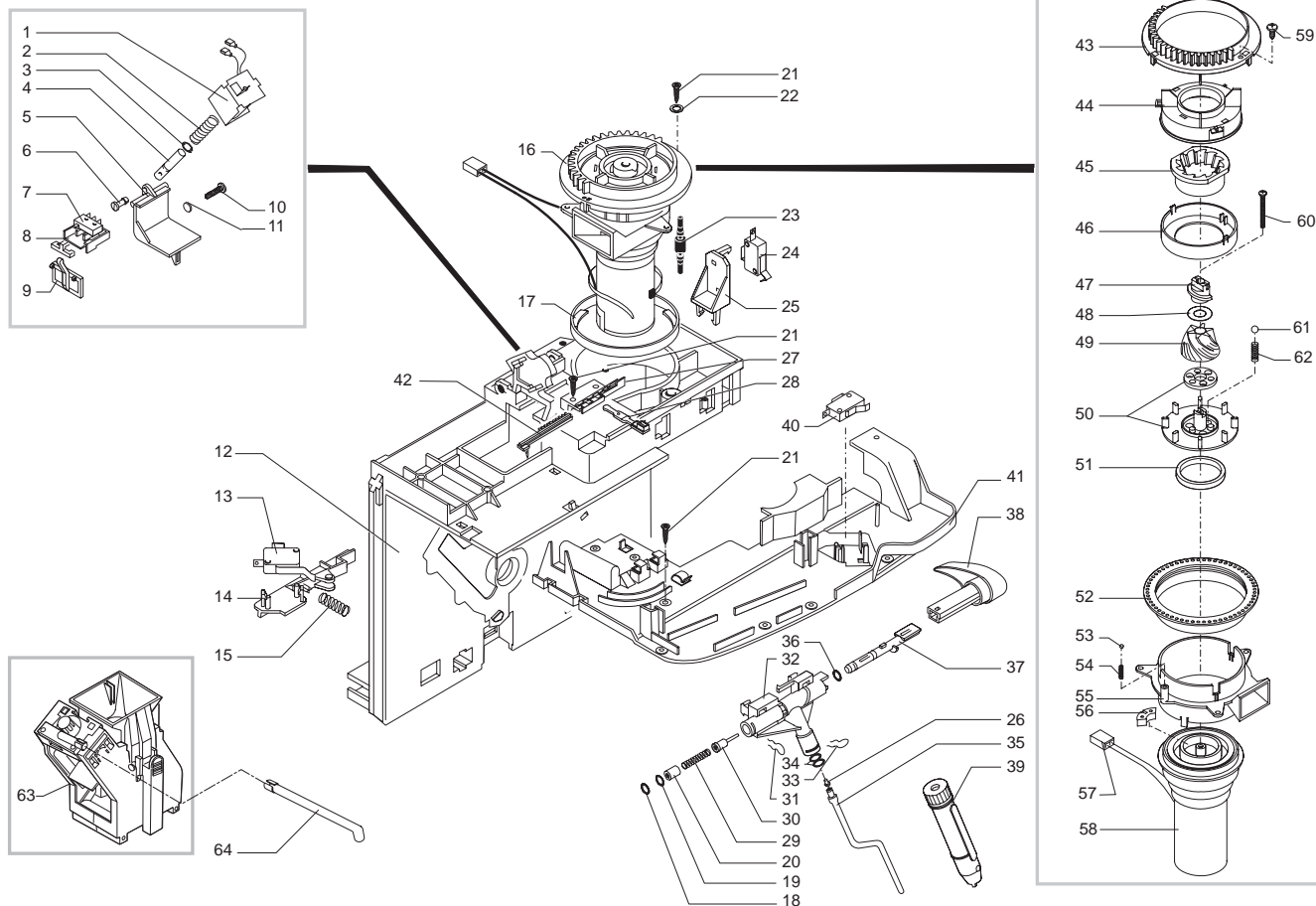
06/09/06

TABLE 4a/5



GAGGIA® SUP 020R INOX BOILER WITH RESISTANCE  **SYNCRONY LOGIC**

POS	CODE	DESCRIPTION	NOTE	POS	CODE	DESCRIPTION	NOTE
	§282126655	Al. tub. boiler gen. assembly with resistance 120V with particular n°06-07-30-33-34-35-36-37-38-40-47--49-50 51-52-55-56-57-58-59-60-61-62-63-64	COMPLETE				


GAGGIA® SUP 020 / SUP 020R

SYNCRONY LOGIC

POS	CODE	DESCRIPTION	NOTE	POS	CODE	DESCRIPTION	NOTE
01	%9129.A21.00A	Whole coil x superaut.	230V	44	\$149186150	Upper grinder support black magic	
	\$283770755	Whole coil	120V	45		Particular not available	SEE PART. N°49
02	\$126764818	Spring electrom. bean doser		46	\$142844550	Up. grinder cover coffee	
03	%U701.003	Elastic shaft retain. ring		47	\$147470763	Increase screw pin cof. grindmagic	
04	%9161.041	Electromagnetic cylinder		48	\$128130102	Flat washer DI10XDE16X0,1 DIN988	ZNP
05	%9161.074.150	Bean doser door grey		49	\$226477700	Kit tecnica grinders	
06	%9161.076.150	Pin grey for doser door		50	\$149188750	Conical grind. supp.+ ring	
07	%NE05.017	Microswitch Saia XCC5-81		51	\$140360200	Felt ring for coffee grinder	
08	\$149185959	Bean doser micro suport magic		52	\$146570950	Ring nut for grinding adjustment	
09	\$148700559	Coffee doser dose adjustment sel.		53	\$128610421	AlSI 304 sphere d=3,2 mm	
10	%U140.004	Panelvit TCB screw 3x12 DIN 7505	ZNP	54	\$126770117	Spring for coffeegrinder	
11	%9161.048	Bean dump. spring		55	\$149186350	Grinder motor support black	
12	%9161.249.150	Mounting plate assembly grey		56	\$140230400	Shock abs conical grinder	
13	\$186724100	Microswitch Saia compensator		57	\$283550658	2 Poli connector ass. coffeegrinder JP1	230V
	\$186724000	Microswitch Saia compensator			\$283550655	2 Poli connector ass. coffeegrinder JP1	120V
14	%9161.202.150	Compensator for grounds micro		58	\$286851158	Motor ass. new	230V
15	%9161.221	Spring ground. microsupport Compensator			\$286851855	Motor ass. new	120V
16	\$286883058	General motor as.	230V	59	\$129511803	Screw TCB 2,9x6,4 DIN 7981	NIK
	\$286884755	General motor as.	120V	60	\$129931002	Torx screw T10 TCB 3,5x48/28 sx	ZNG
17	%9141.052	Coffeegrinder reinforcing ring		61	\$128610521	AlSI 304 sphere d=5,5 mm	
18	\$140328161	Or 2015 - 3,69x1,78	EPDM	62	\$126765517	Steel spring sphere d=5,5	
19	%NMO2.028	Or 2015	EPDM/FDA	63	\$225800559	Brew unit grey + hole	
20	%9991.112	Bush for faucet				[See table nr. 2258005 exp. cod. E90026]	
21	\$129670202	Panelvit TCB screw 3,5x16 testa D=8	ZNP	64	\$149500800	Coffee dispensing tube	
22	%U207.004	Plain washer 4,3x16 UNI 6592	ZNP				
23	%9991.103	Antivibration for coffeegrinder					
24	%NE05.043	Microswitch for faucet					
25	%9161.207.150	Support for faucet micro					
26	\$145895000	Teflon insert for steam tube					
27	\$147571850	Lever fixing pla. black + dose adjustment					
28	%9161.122.150	Dose adjustment lever grey classic					
29	\$126765317	Steel spring boiler piston					
30	\$227660103	Piston ass. w/groove	BRASS/NIK				
31	%9011.144	Fork for tube d.4					
32	%9161.204.G	Steam faucet					
33	\$126764018	Spring D=1steam tube holder jun.					
34	\$140324461	Or metric 0060-20	TERMOIL				
35	\$229381508	Steam tube ass. nozzle seb					
36	\$140328561	Or D = 4,48 x 1,90	TERMOIL				
37	%9161.205	Steam faucet rod					
38	\$227721959	Steam dispenser knob grey silk screened					
39	\$147430150	Pannarello ass. black plastic					
40	\$186723200	Door microswitch					
41	\$149192900	Front panel support					
42	\$148740450	Toothed slide for dose adjust gear					
43	\$148650250	Grinding adjustment sector					

GAGGIA® SUP 020 / SUP 020R

Esp. E74043 09/06/05

06/09/06

TABLE 5/5

GAGGIA
**MODULO AGGIORNAMENTO ESPLOSI
EXPLODED VIEW UPDATING SHEET**

Mod.

0042

Pag.

1

di

2

MODEL:

SYNCRONY LOGIC

ESPLOSO:

ER0179

REV.

04

LISTA CODICI DA MODIFICARE / CODES LIST TO BE MODIFIED

TAB.	POS.	COD. E DESCR. DA INSERIRE / CODE AND DESC. TO BE ADDED	AGG.
01	08	15000200 - §165899300 Libretto istruzioni	SI
01	24	§222811066 Copertura MP5000	SI
01	39	11000959 - §281566482 Ass. basetta el.	SI
01	45	§222482218 Ass. carcassa MP5000 UL	SI
01	55	§129827002 Vite + n° matricola	SI
01	56	§127751702 Protezione per carcassa + n° matricola	SI
01	57	%U324.003 Dado M5 + n° matricola	SI
03	08	§140328059 OR 2015	
03	16	11001093 - 11001310 - 11001257 Ass. cavo alimentazione	SI
03	18	§184651500 Filtro antisturbo	SI
03	39	%U310.003 Dado M% + n° matricola	
03	42	%U044.020 stesso codice - aggiunto n° matricola	SI
03	42	§129932502 Vite + n° matricola	SI

TAB.	POS.	COD. DA ELIMINARE / CODE TO BE REMOVED
03	08	%NM025.028 OR 2015
03	39	§123160502 Dado M5

LISTA FIGURE DA MODIFICARE / PICTURES LIST TO BE MODIFIED

TAB.	POS.	DESCRIZIONE FIGURE DA INSERIRE PICTURES DESCRIPTION TO BE ADDED	ALL.
01	55	§129827002 Vite	
01	56	§127751702 Protezione peer carcassa	
01	57	%U324.003 Dado M5	
03	30	Disegnata corretta molla ferma-sensori con ganci laterali	
04		Tavola caldaia inox x SUP020R	

TAB.	POS.	DESCRIZ. FIGURE DA MOD./ ELIMINARE PICTURES DESCR. TO BE REMOVED	M./E.

Note:

DATA/DATE 21/04/06	REDATTO/IUSSUED Andrea Lollo	VERIF./APPROV. Ing. Eugenio Roncali
------------------------------	--	---

Legenda: TAB = Tavola/Table POS = Posizione/Position M/E = Modifica-Elimina/Modify-Remove ALL/ANN = Allegati/Annexes AGG = Aggiungere/Add
--



MODULO AGGIORNAMENTO ESPLOSI
EXPLODED VIEW UPDATING SHEET

Mod.
Pag.

0042

2

di

2

MODEL:

SYNCRONY LOGIC

ESPLOSO:

ER0179

REV.

04

LISTA CODICI DA MODIFICARE / CODES LIST TO BE MODIFIED

TAB.	POS.	COD. E DESCR. DA INSERIRE / CODE AND DESC. TO BE ADDED	AGG.
03	48	20000203 Kit ric. supporto caldaia + n° matricola	SI
03	48	§149197900 stesso codice - aggiunto n° matricola	SI
03	52	§183361362 Cavetto 1 filo silicone	SI
03	53	§327002200 Fusibile	SI
03	63	§184320200 Molla stringitubo	SI
03		§282136755 - 11001097 Ass. generale caldaia tubolare	SI
04		Aggiunta pagina caldaia inox x SUP020R	SI
05	01	§283770758 Ass. bobina dosatore 230V	SI
05	48	%U201.002 Rosetta piana	

TAB.	POS.	COD. DA ELIMINARE / CODE TO BE REMOVED
04	48	§128130102 Rondella piana

LISTA FIGURE DA MODIFICARE / PICTURES LIST TO BE MODIFIED

TAB.	POS.	DESCRIZIONE FIGURE DA INSERIRE PICTURES DESCRIPTION TO BE ADDED	ALL.

TAB.	POS.	DESCRIZ. FIGURE DA MOD./ ELIMINARE PICTURES DESCR. TO BE REMOVED	M./E.

Note:

DATA/DATE	REDATTO/IUSSUED	VERIF./APPROV.
21/04/06	Andrea Lollo	Ing. Eugenio Roncali

Legenda: TAB = Tavola/Table POS = Posizione/Position M/E = Modifica-Elimina/Modify-Remove ALL/ANN = Allegati/Annexes AGG = Aggiungere/Add
--