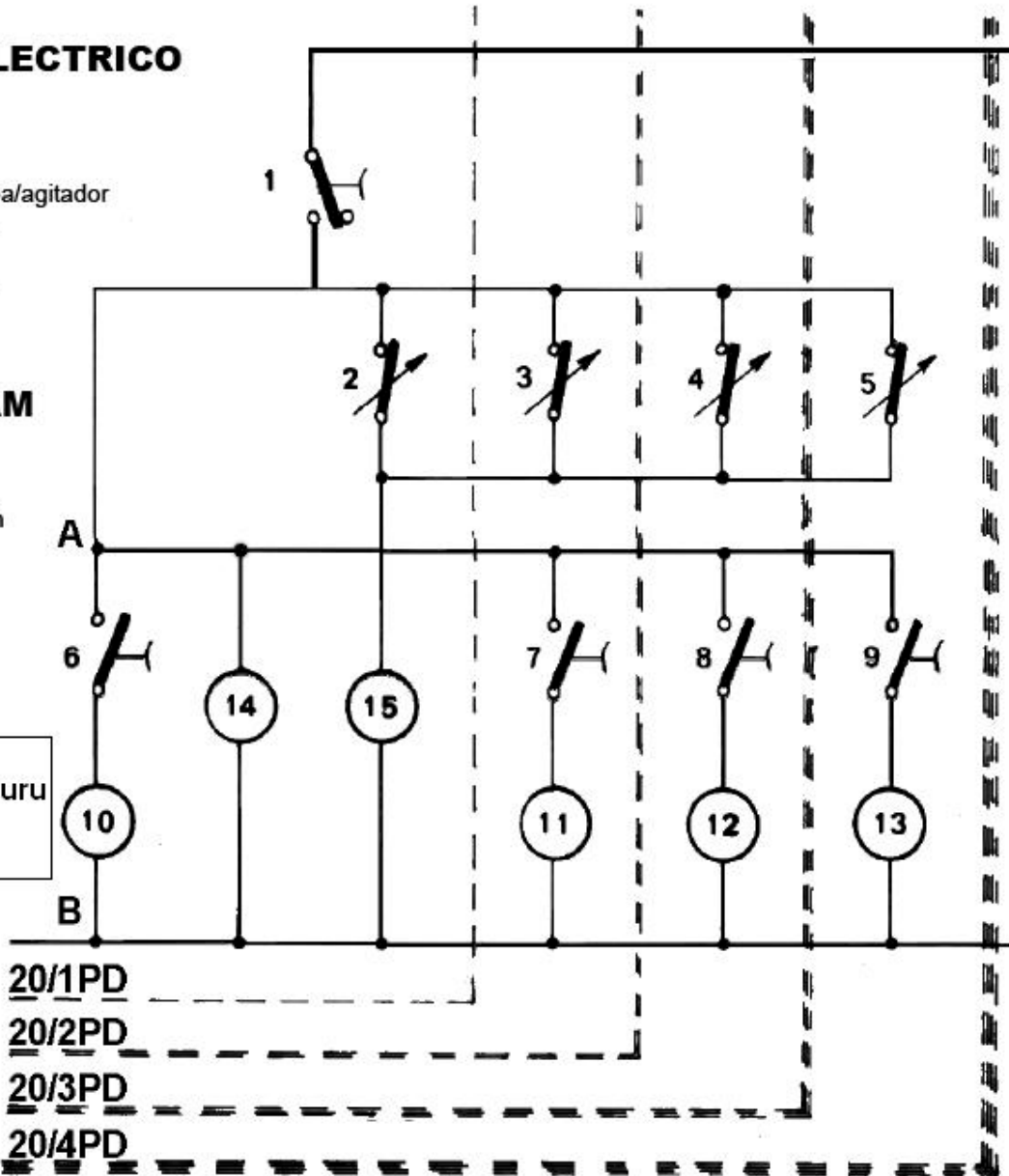


E ESQUEMA ELECTRICO

- 1 Interruptor
- 2-3-4-5 Termostato
- 6-7-8-9 Interruptor bomba/agitador
- 10-11-12-13 Bomba/agitador
- 14 Ventilador
- 15 Motocompresor

GB WIRING DIAGRAM

- 1 Switch
- 2-3-4-5 Thermostat
- 6-7-8-9 Pump/mixer switch
- 10-11-12-13 Pump/mixer
- 14 Fan Motor
- 15 Compressor



Courtesy of

Services Unlimited, Inc./Parts Guru

Phone: 215-361-7000

E-mail: granita@rcn.com